

Contact Sheet



Europe



Austria

Tel: + 43 4212 6400
Sparex GesmbH (ÖSTERREICH)
Gewerbezone 11
St.Veit / Glan Hunnenbrunn 9300



Belgium / Lux

Tel: + 32 58235140
Sparex Belgium Bvba
Toevluchtweg 9
B- 8620 Nieuwpoort



Denmark

Tel: + 45 647 22287
Sparex Denmark
Sparex Limited ApS
Messevej 1
9600 Aars



France

Tel: +33 2987 89234
Sparex S.A.R.L.
Zae De Ty Douar
Communa 29450



Germany

Tel: + 49 4282 93100
Sparex Handels- und Vertriebs GmbH
Hansestraße 22
Sittensen 27419



Ireland

Tel: +353 51 855592
Sparex (Tractor Accessories) Ltd
Grannagh
Waterford
Ireland



Italy

Tel: + 43 4212 6400
Sparex GesmbH (ÖSTERREICH)
Gewerbezone 11
St.Veit / Glan Hunnenbrunn 9300



Netherlands

Tel: + 31 235 841 020
Sparex Holland BV
Luzernestraat 19N
2153 GM Nieuw-Vennep



Poland

Tel: +48 61 816 19 37
Sparex Polska Sp. z o.o.
Ul. Wagrowska 2
61-369 Poznań



Portugal

Tel: +351 261 311107
Sparex Portugal, Importação
e Comércio de Peças,Lda.
Lugar da Espera 2565-716 Runa.



Spain

Tel: + 349 451 33524
Sparex Agrirepuestos, S.L.
Bulevar De Salburua 8, 10º B
01002 Vitoria-Gasteiz (Alava)



UK

Tel: +44 1392 441338
Sparex Limited
Exeter Airport Devon
Exeter EX5 2LJ

North America



Canada

Tel:1-800-263-7900 (EN)
Tel:1-844-694-8554 (FR)
Sparex Canada Limited
o/a Central East Farm Supply
4168 Hwy 2, RR8
NEWCASTLE ON L1B 0P7



USA

Tel: +1 800 443 6472
Sparex US
PO Box 510
Aurora, OH 44202

Africa



South Africa

Cape - Tel: +27 00 21 887 3575
KZN - Tel: + 27 31 573 1240
Cape branch
35 George Blake St,
Plankenburg
Stellenbosch 7600
KZN branch
59 Marseilles crescent
Briardene
Durban 4001

Australasia



Australia

Tel: +61 300 710 710
Sparex Australia Pty Ltd
81-83 Strzelecki Avenue,
Sunshine West, VIC 3020



New Zealand

Tel: + 64 9634 4121
Sparex N.Z. Limited
142 Neilson Street
Onehunga Auckland

Sparex Export Markets

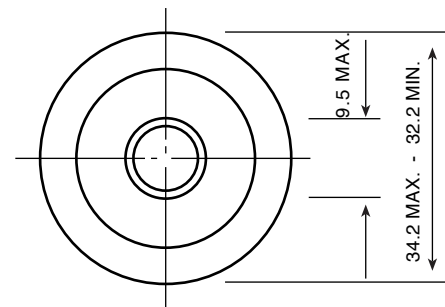


Export

Tel: +44 (0)1392 441 311
Sparex Limited
Exeter Airport
Devon Exeter EX5 2LJ

Model No.: **GP13AU**

NO MERCURY ADDED	
Description	: Mercury & Cadmium Free Alkaline Manganese Battery, D Size
Chemical System	: Alkaline Manganese
Nominal Voltage	: 1.5 Volts
Nominal Dimensions	: $\phi 34.2$ mm x 61.5 mm
Terminals	: Protruded positive (+) and flat negative (-) contacts
Jacket	: Foil jacket
Applications	: All electronic devices, e.g. transistor radios, cassette recorders, toys, alarm clocks, portable fans, portable hand-tools.
Shelf Life	: 10 years at 20°C in a well ventilated area
Average Weight	: 130g

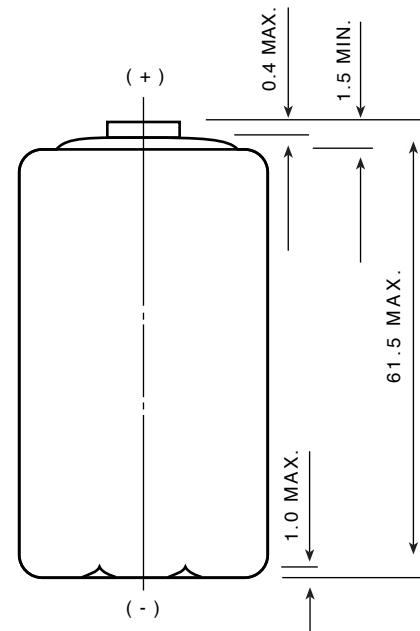
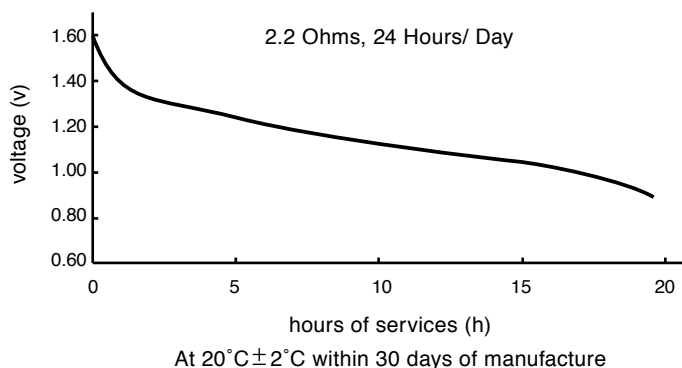


Cross References:

GP	JIS	IEC	Eveready	Duracell	Varta
13AU	LR20	LR20	E95	MN1300	4020

Typical Service Life:

Discharge Resistance	Discharge Condition	End Point Voltage	Service Life
2.2 Ohms	24 Hrs/ Day	0.9V	19.5 Hrs



Unit : mm

The information (subject to change without prior notice) contained in this document is for reference only and should not be used as a basis for product guarantee or warranty. For applications other than those described here, please consult your nearest GP Sales and Marketing Office or Distributors.